

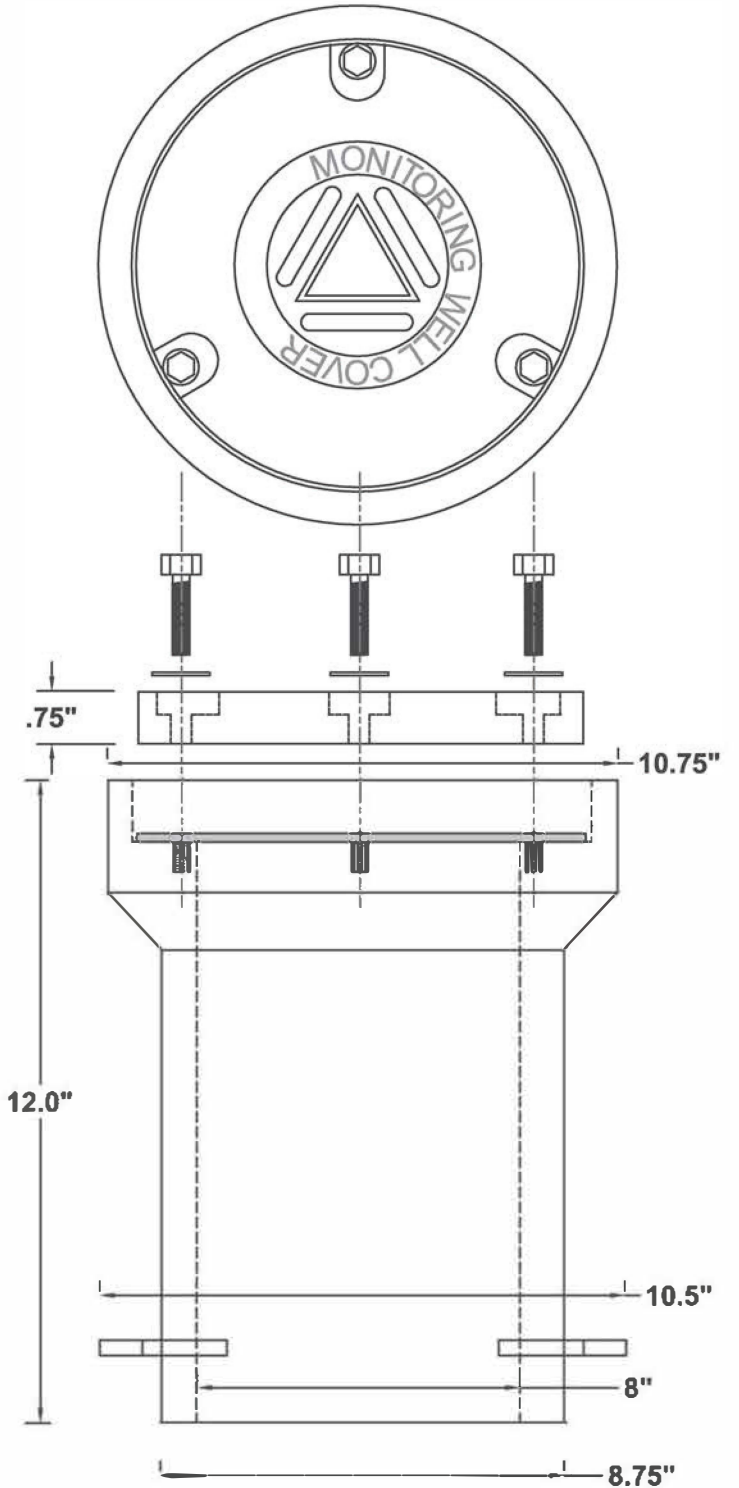
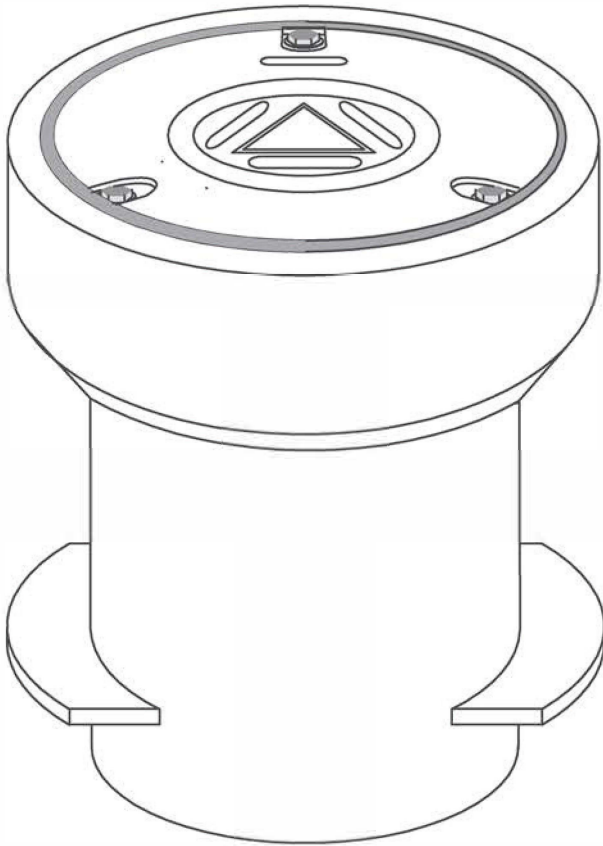
# 8" x 12" Aircraft Rated Manhole (Cast Aluminum Construction)

## Specifications

8"x12" Aluminum Alloy Curb Box

Aircraft / Airport Rated  
AASHTO M306 Traffic Rated  
AASHTO HS20 Traffic Rated  
AASHTO H20 Traffic Rated

Load Capacity 258,000 lbs



ECT Manufacturing, Inc.  
11 Black Forest Rd | Hamilton, NJ | 08691  
t. 609.631.8939 | 888.240.4328 | f. 609.631.0993  
www.ectmfg.com