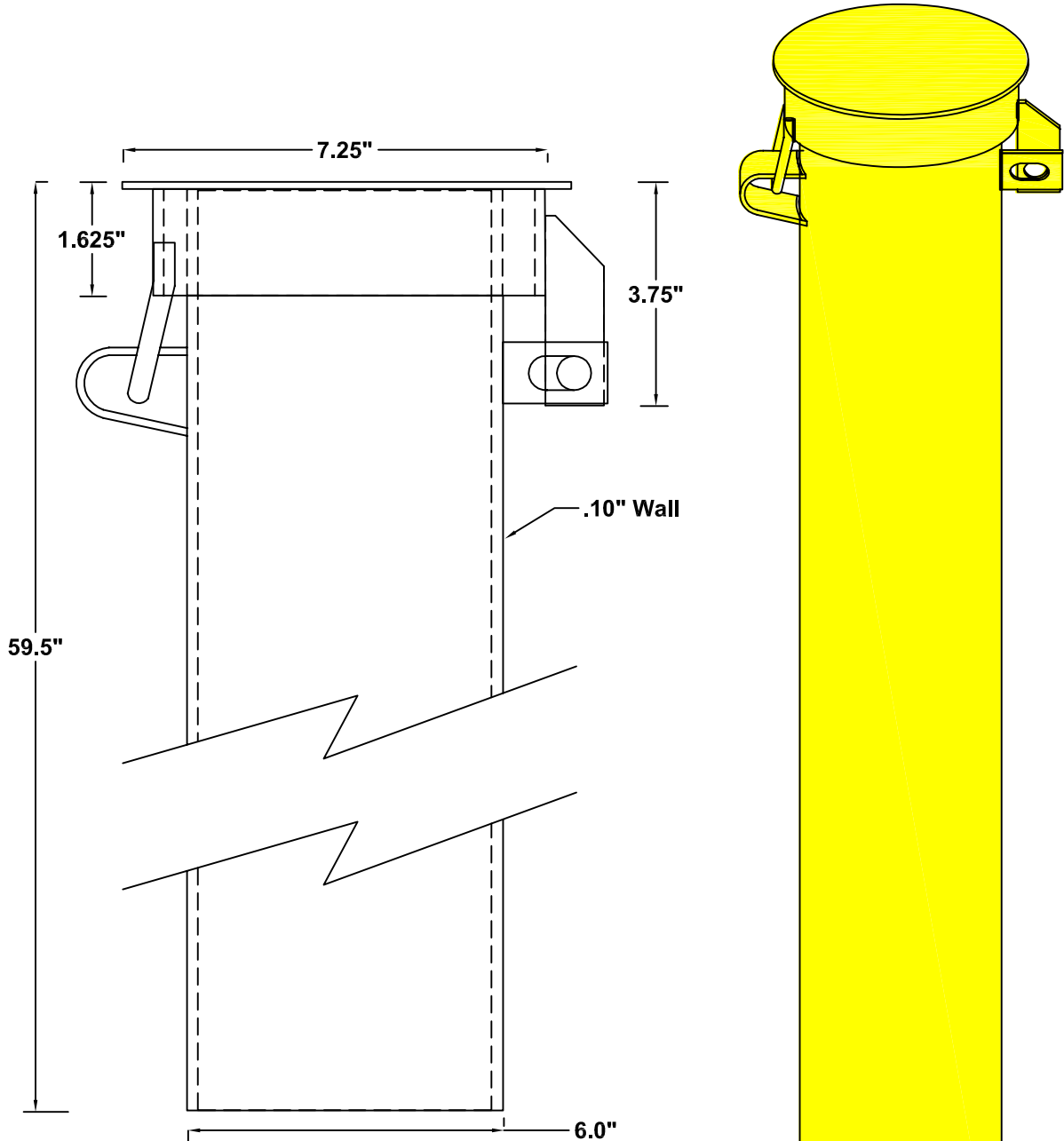


6"x 5' Round Steel Well Protector



SPECIFICATIONS

6" Round x 5' Tall Well Protector
Hinged, Locking, Overlap Cap
All Steel Construction
UV Protectant Powder Coat
Colors: Black, Safety Yellow
Weight 30 lbs.

