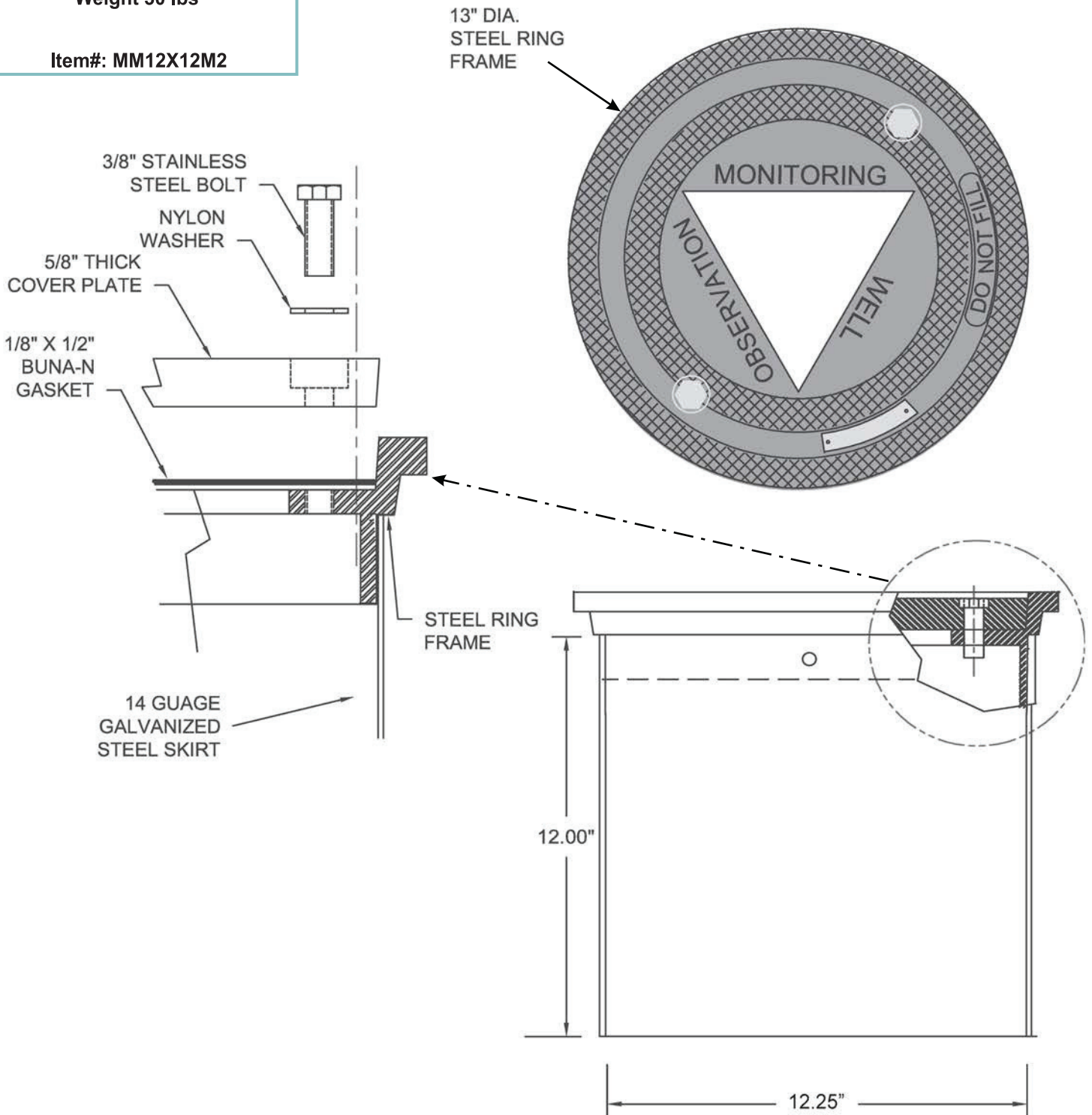


# 12" x 12" Steel Skirt Manhole (2 Bolt Lid)

## Specifications

12"x12" Cast Iron Curb Box  
2 Bolt - Water Resistant  
H-20 Traffic Load Rating  
Weight 30 lbs

Item#: MM12X12M2



ECT Manufacturing, Inc.  
11 Black Forest Rd | Hamilton, NJ | 08691  
t. 609.631.8939 | 888.240.4328 | f. 609.631.0993  
www.ectmfg.com