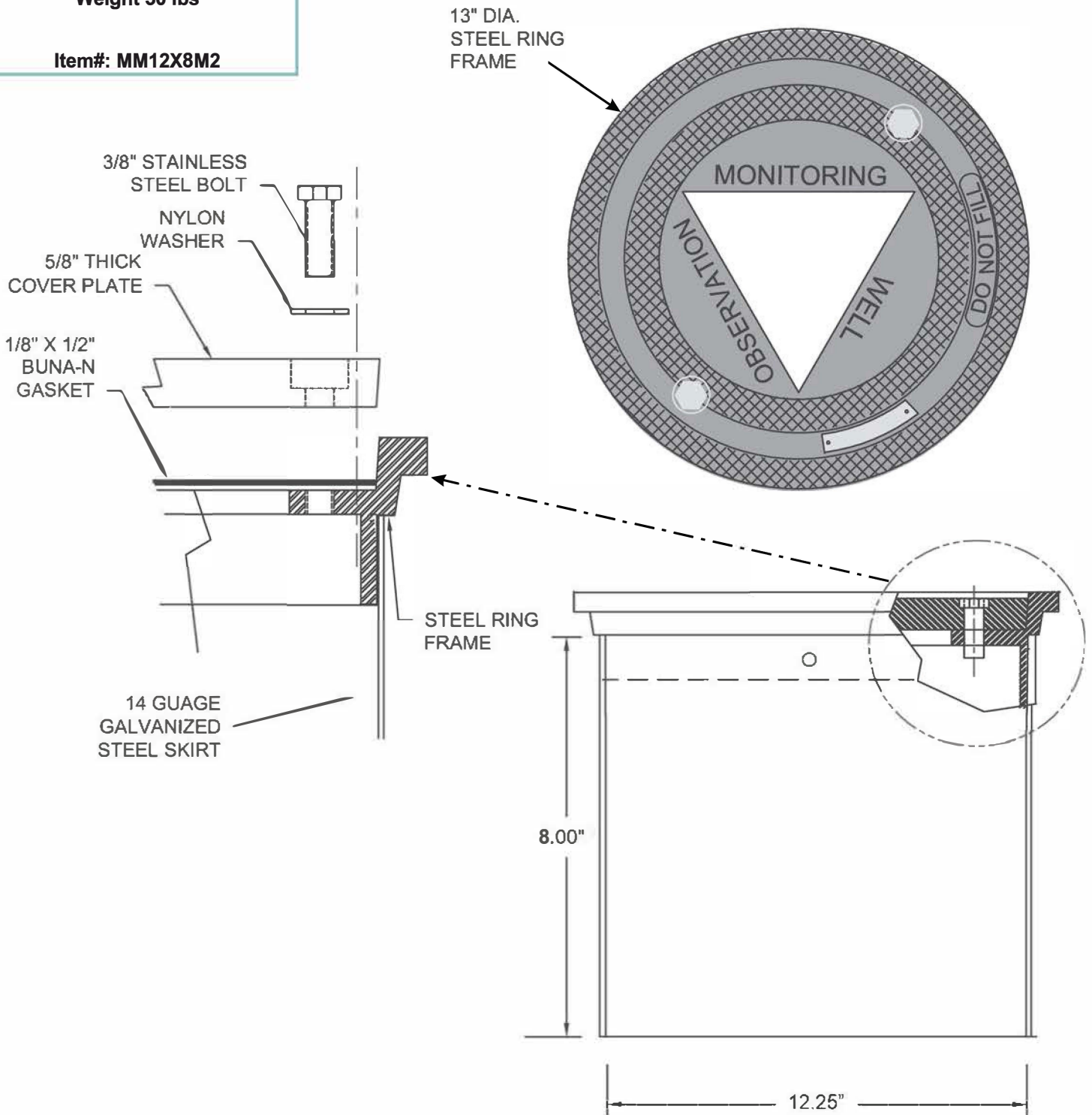


12" x 8" Steel Skirt Manhole (2 Bolt Lid)

Specifications

12" x 8" Cast Iron Curb Box
2 Bolt - Water Resistant
H-20 Traffic Load Rating
Weight 30 lbs

Item#: MM12X8M2



ECT Manufacturing, Inc.
11 Black Forest Rd | Hamilton, NJ | 08691
t. 609.631.8939 | 888.240.4328 | f. 609.631.0993
www.ectmfg.com