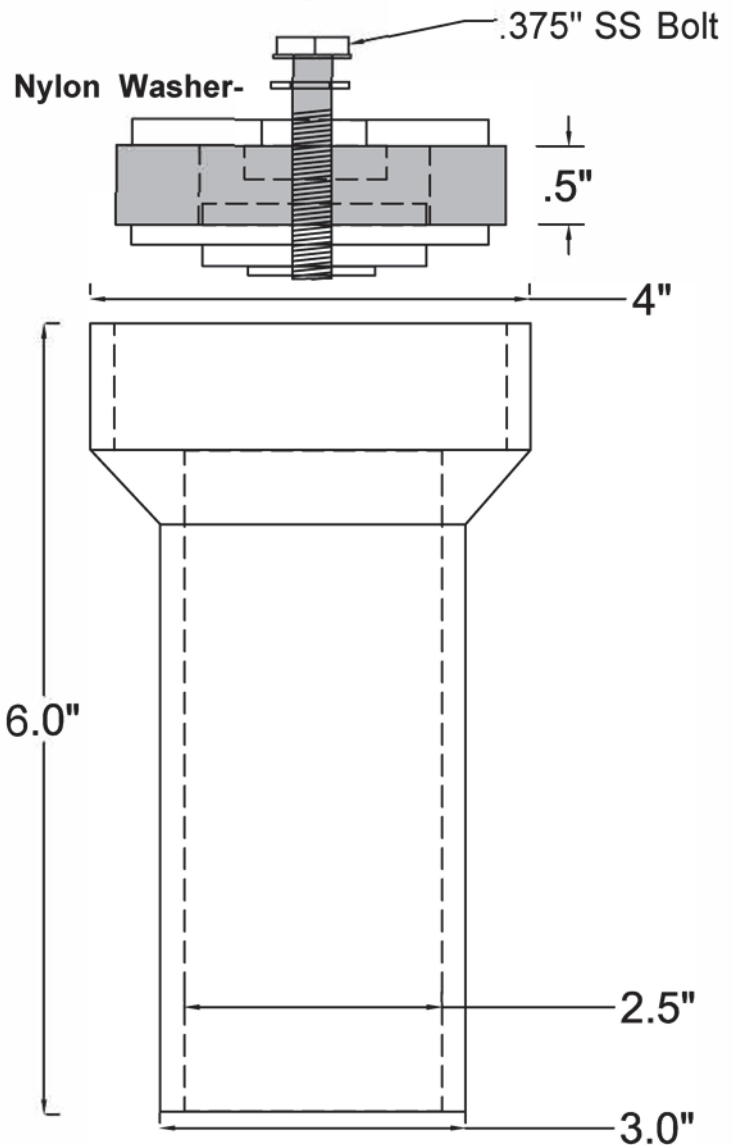
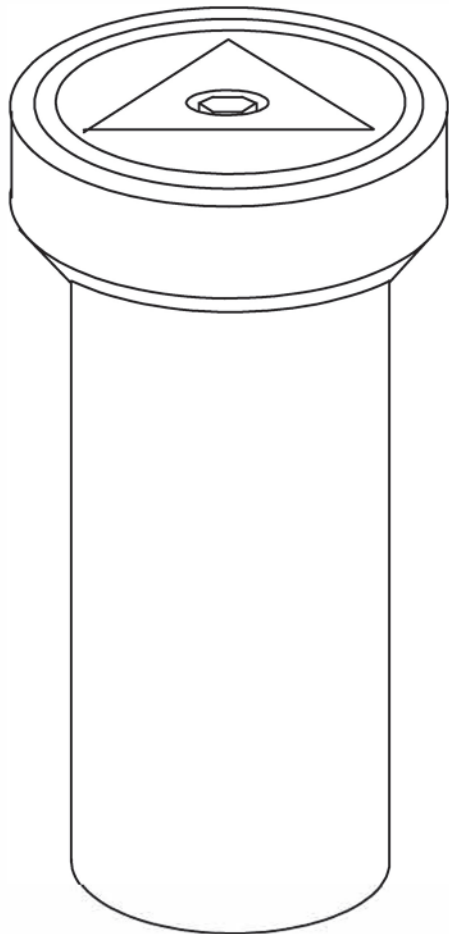


2" x 6" Cast Aluminum Manhole (Center Bolt Lid)

Specifications

2" x 6" Cast Aluminum Curb Box
Single Bolt - Expansion Style Lid
H-20 Load Rated
Weight 1.5 lbs

Item#: 2"BBAL



ECT Manufacturing, Inc.
11 Black Forest Rd | Hamilton, NJ | 08691
t. 609.631.8939 | 888.240.4328 | f. 609.631.0993
www.ectmfg.com