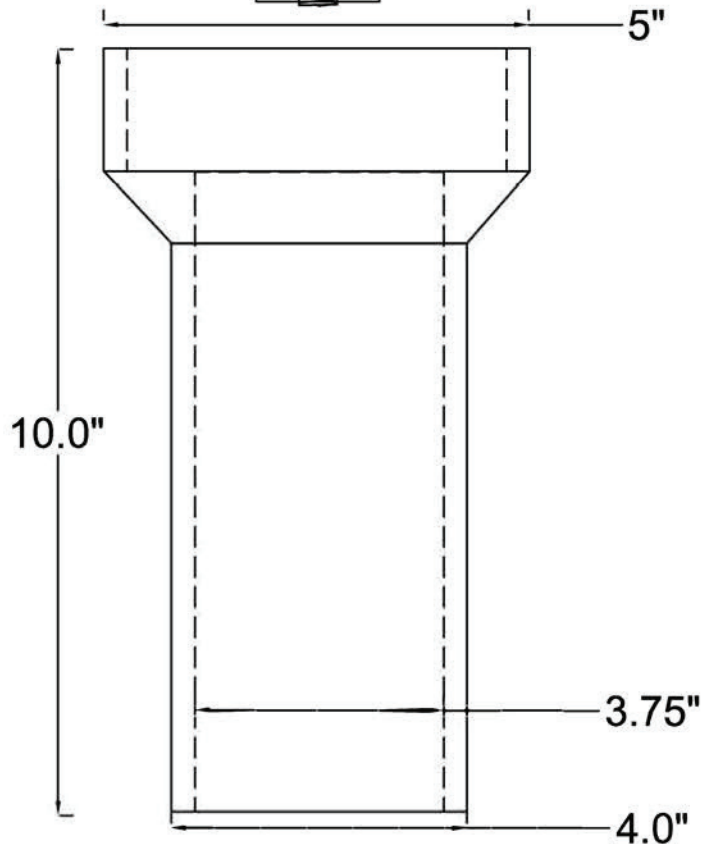
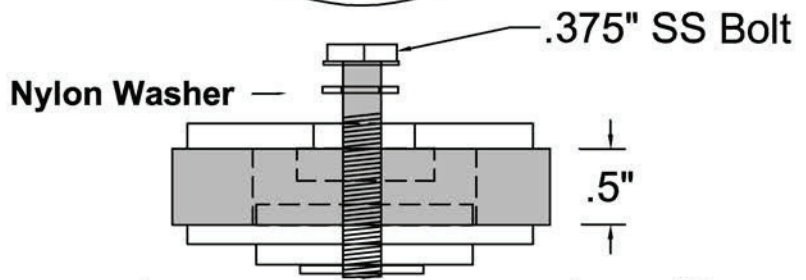
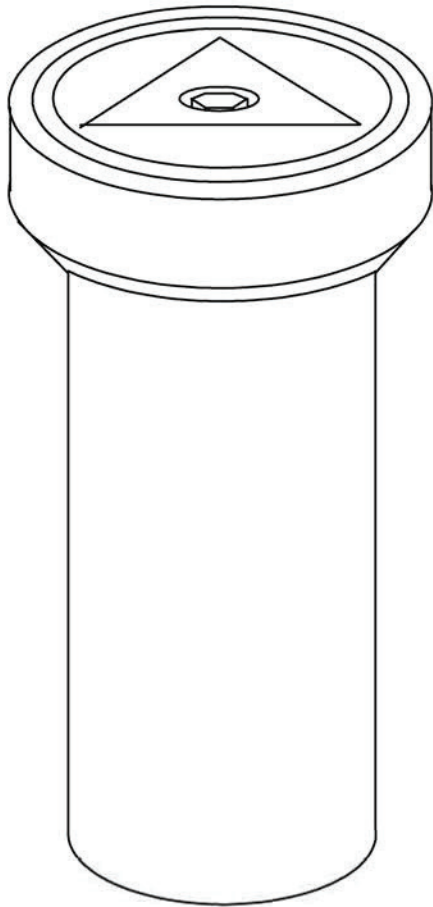


# 4" x 10" Cast Aluminum Manhole (Center Bolt Lid)

## Specifications

4" x 10" Aluminum Alloy Curb Box  
Single Bolt - Expansion Style Lid  
H-20 Load Rated  
Weight 3.1 lbs

Item#: 4"BBAL



ECT Manufacturing, Inc.  
11 Black Forest Rd | Hamilton, NJ | 08691  
t. 609.631.8939 | 888.240.4328 | f. 609.631.0993  
www.ectmfg.com