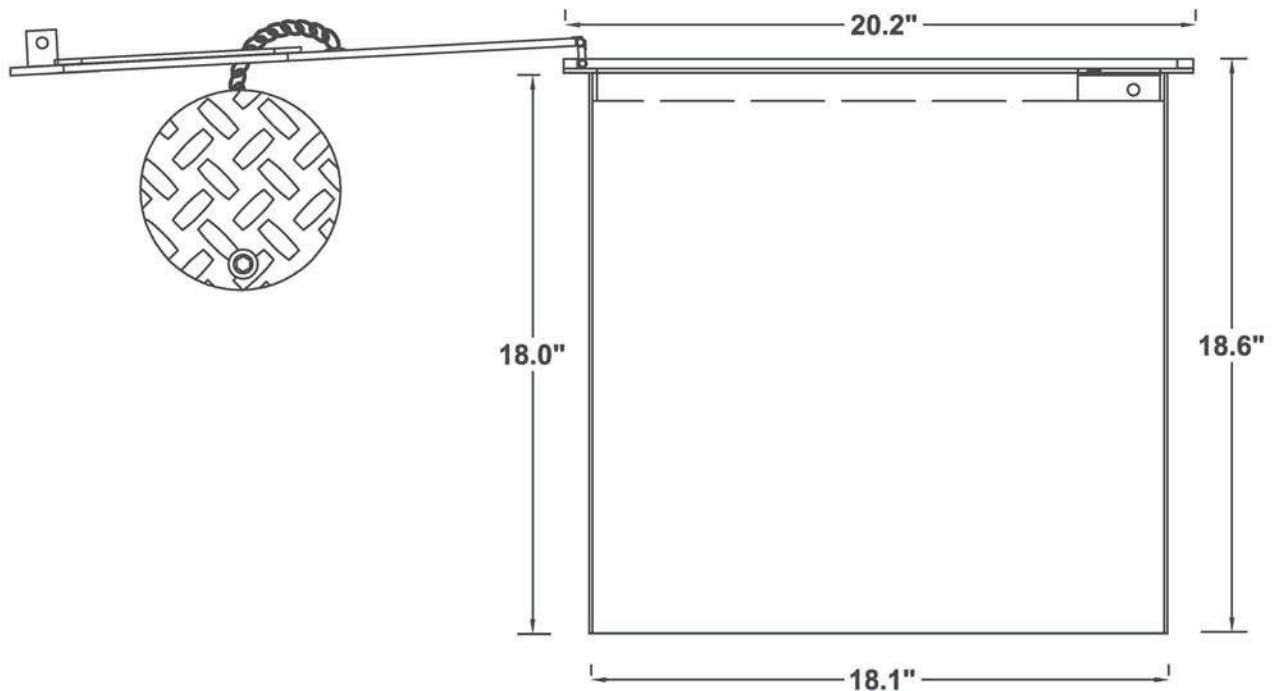
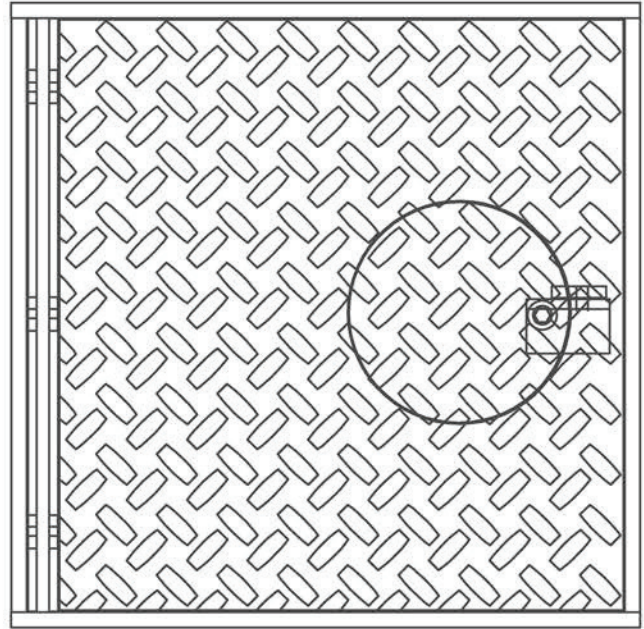
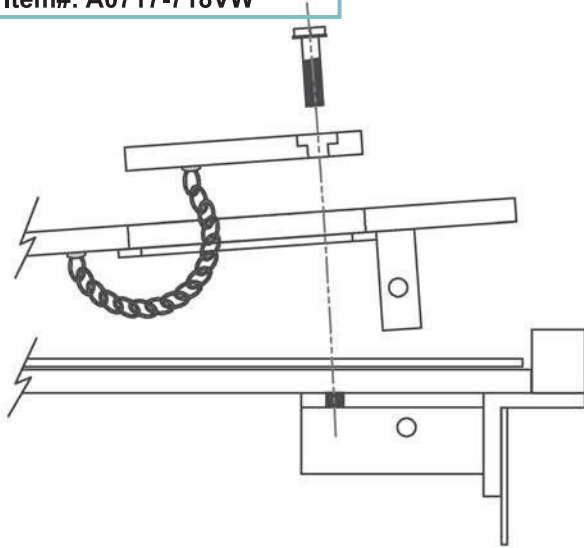


# 18" x 18" x 18" Vault

(Hinged, Locking, Water-Resistant Lid)

## Specifications

18"x18"x18" Steel Locking Vault  
.375" Diamond Plate Double  
Hinged Lid  
16 Gauge Steel Skirt  
H-20 Load Rated  
Weight 91 lbs  
Item#: A0717-718VW



ECT Manufacturing, Inc.  
11 Black Forest Rd | Hamilton, NJ | 08691  
t. 609.631.8939 | 888.240.4328 | f. 609.631.0993  
www.ectmfg.com