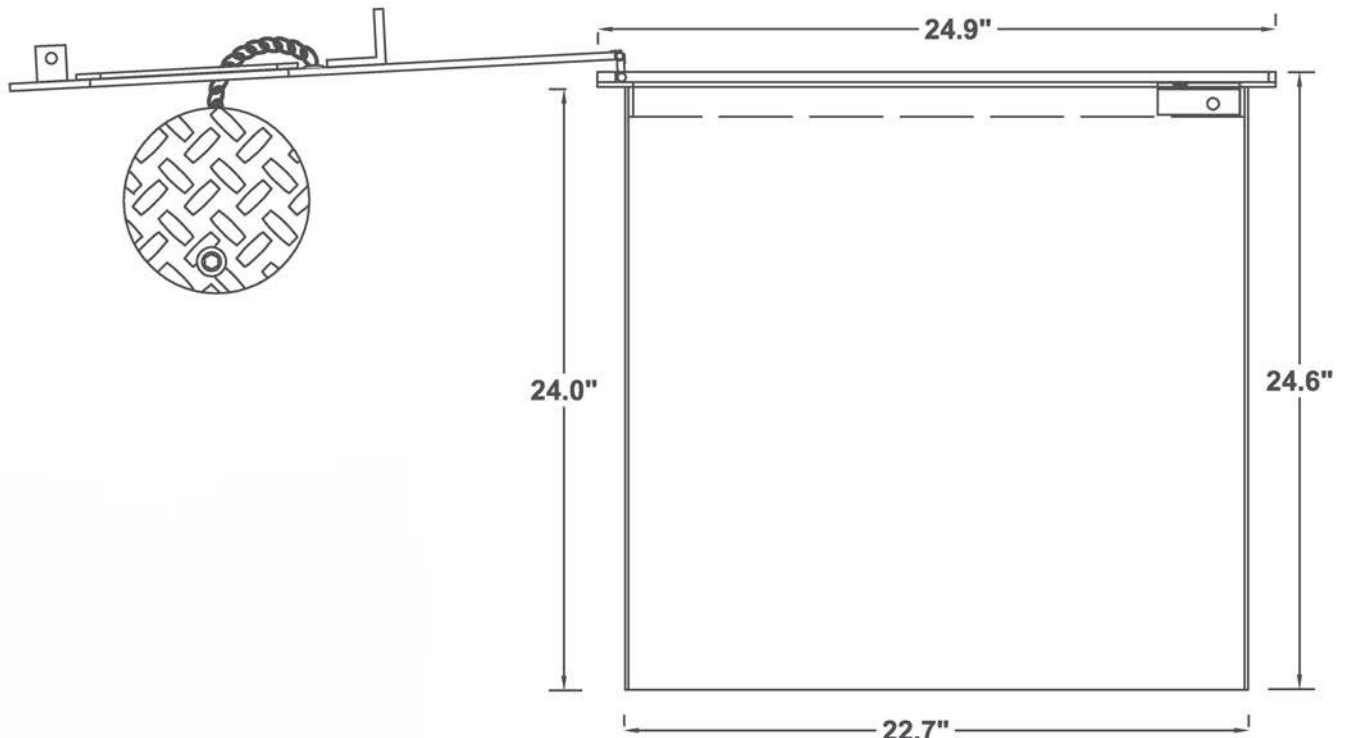
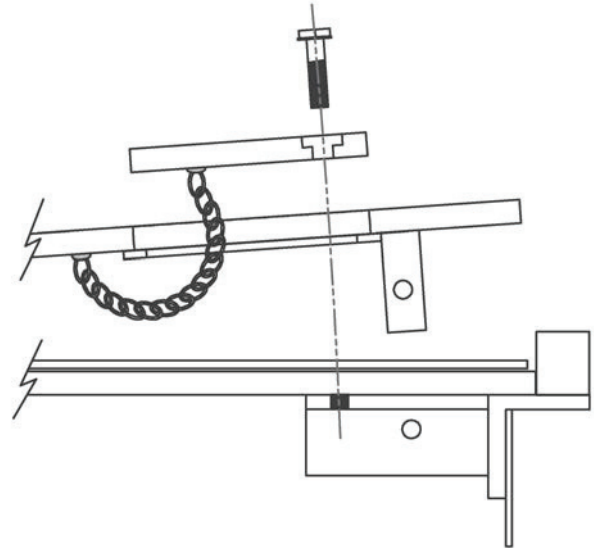
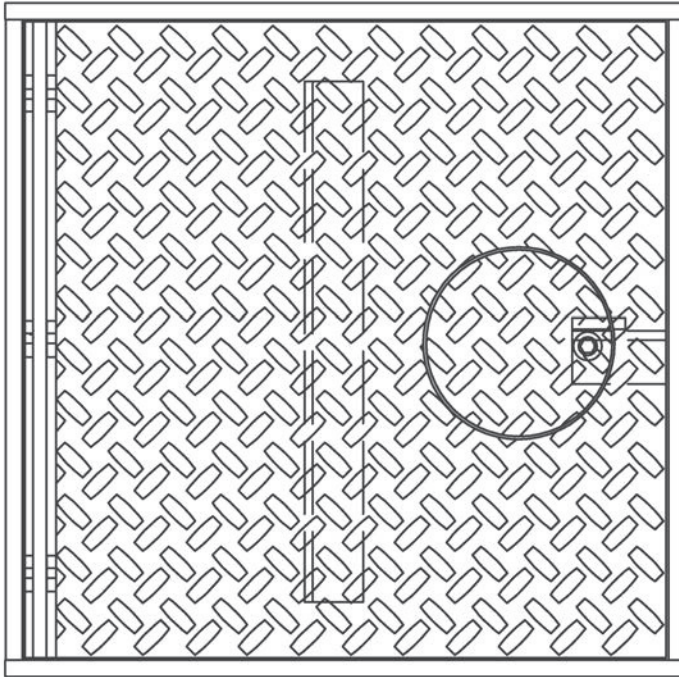


24" x 24" x 24" Vault

(Hinged, Locking, Water-Resistant Lid)

Specifications

24"x24"x24" Steel Locking Vault
.375" Diamond Plate Double
Hinged Lid
16 Gauge Steel Skirt
H-20 Load Rated
Weight 130 lbs
Item#: A0717-724VW



ECT Manufacturing, Inc.
11 Black Forest Rd | Hamilton, NJ | 08691
t. 609.631.8939 | 888.240.4328 | f. 609.631.0993
www.ectmfg.com