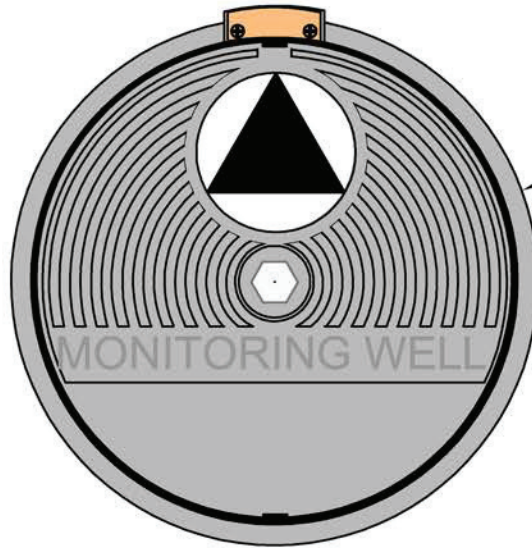


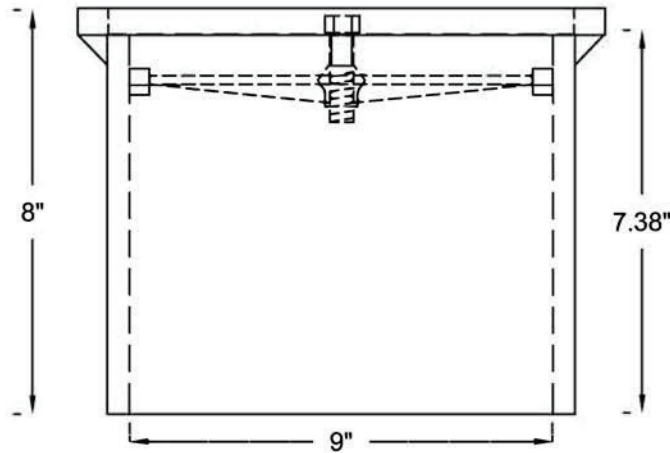
9" Morrison Bros. Model 519 Manhole (Center Bolt Lid)

Specifications

9"x7" Cast Iron Test Well
Curb Box
Single Bolt w/ 3 Spoke Lid
Water Tight One Piece Cast Ring
and Skirt H-20 Load Rated
Weight 32 lbs
Item#: M519-9



10.25" O.D.
CAST RING
FRAME



ECT Manufacturing, Inc.
11 Black Forest Rd | Hamilton, NJ | 08691
t. 609.631.8939 | 888.240.4328 | f. 609.631.0993
www.ectmfg.com