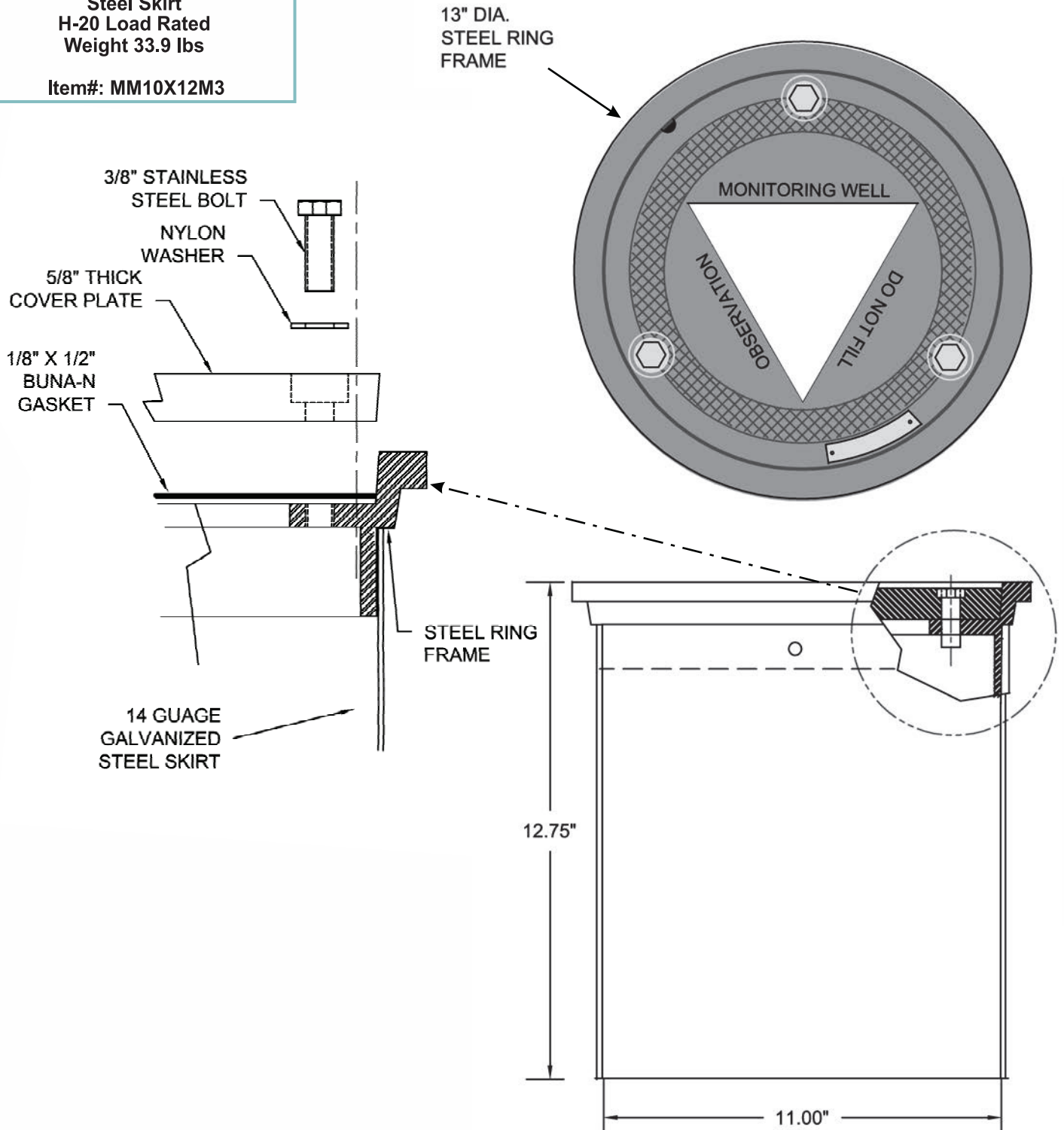


10" x 12" Steel Skirt Manhole (3 Bolt Lid)

Specifications

10"x12" Cast Iron Curb Box
3 Bolt - Water Resistant
Steel Skirt
H-20 Load Rated
Weight 33.9 lbs

Item#: MM10X12M3



ECT Manufacturing, Inc.
11 Black Forest Rd | Hamilton, NJ | 08691
t. 609.631.8939 | 888.240.4328 | f. 609.631.0993
www.ectmfg.com