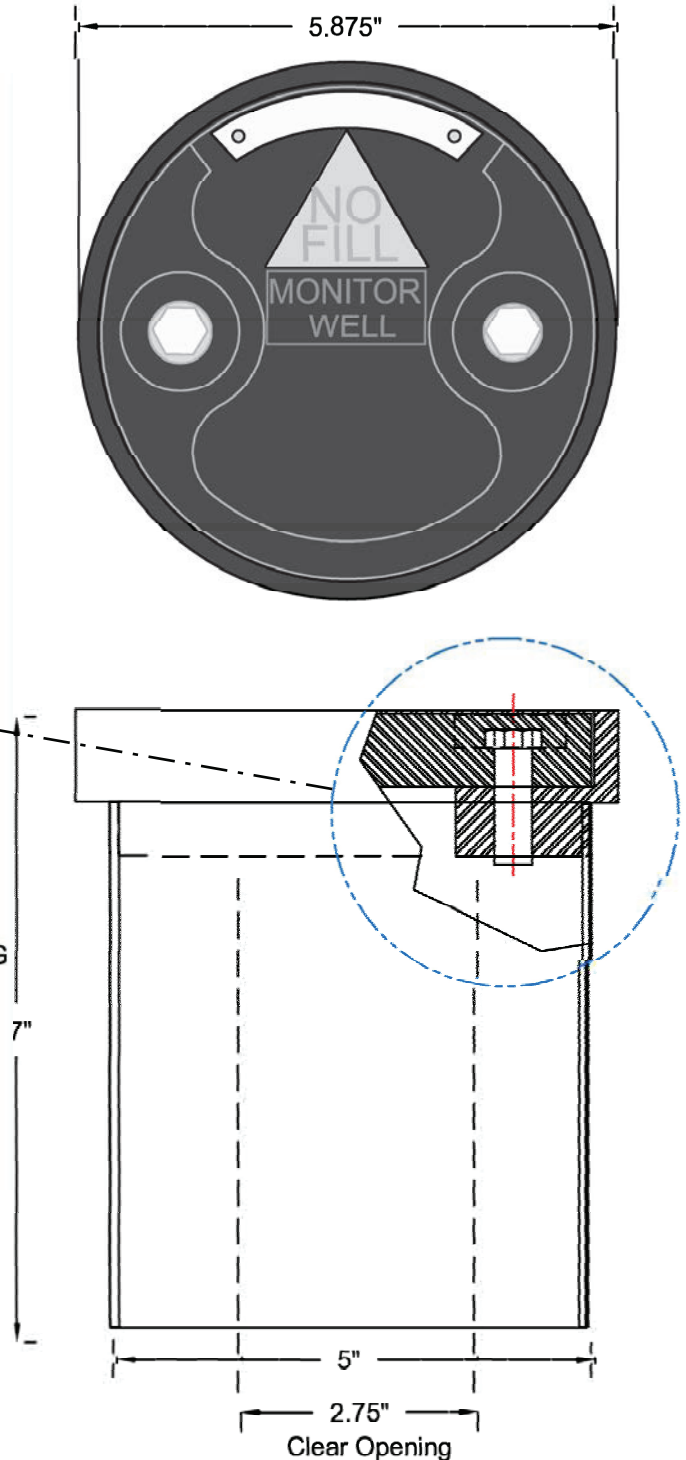
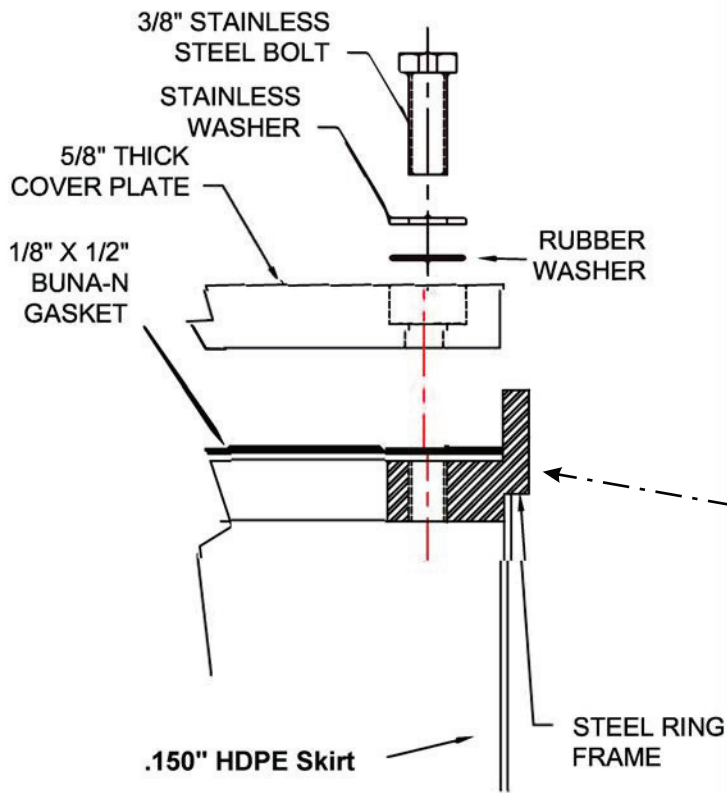


5" x 7" Plastic Skirt Manhole (2 Bolt Lid)

Specifications

5"x7" Cast Iron Curb Box
2 Bolt - Water Resistant
Plastic Skirt
H-20 Load Rated
Weight 7 lbs

Item#: MM5X7P



ECT Manufacturing, Inc.
11 Black Forest Rd | Hamilton, NJ | 08691
t. 609.631.8939 | 888.240.4328 | f. 609.631.0993
www.ectmfg.com