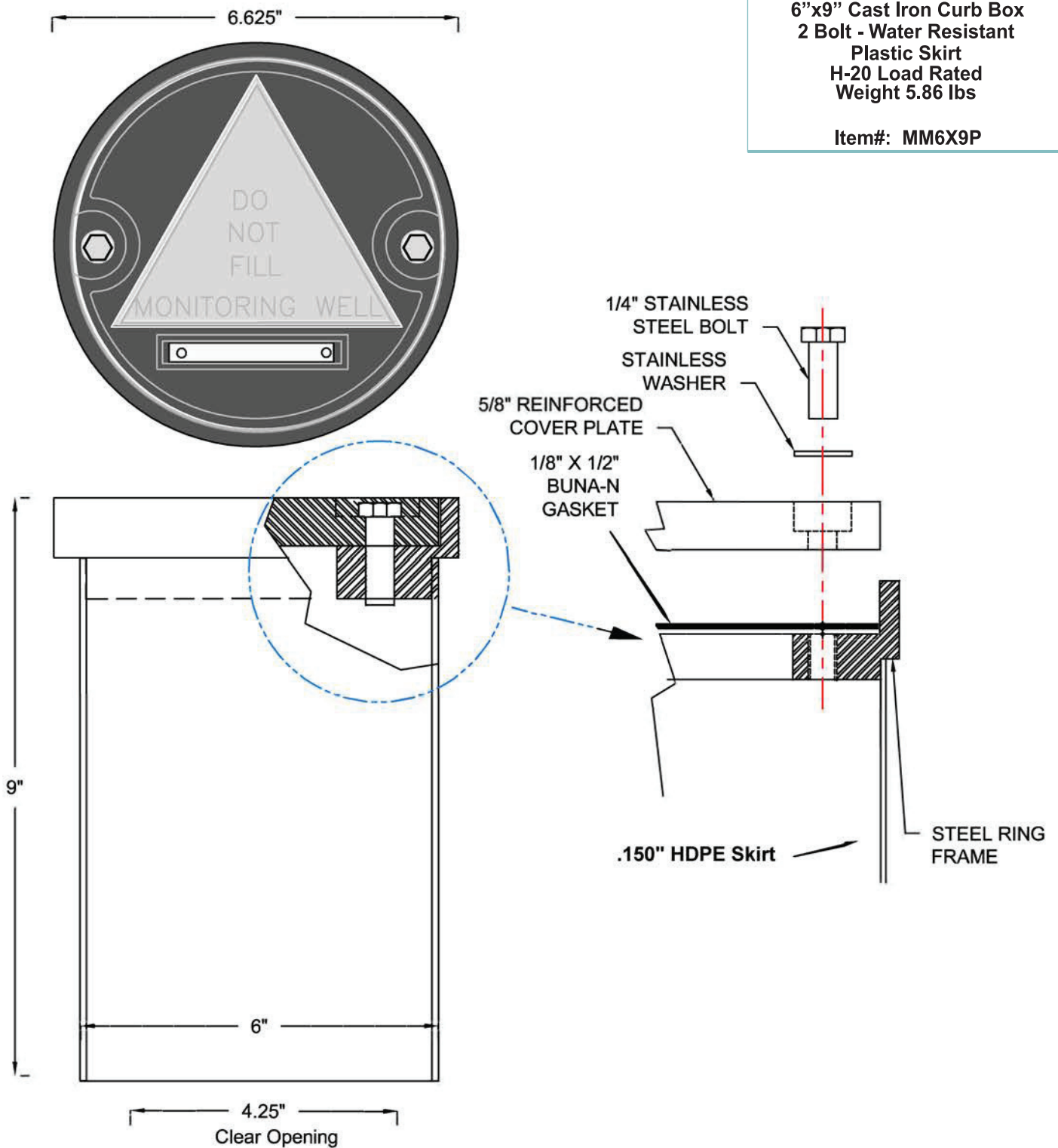


6" x 9" Plastic Skirt Manhole (2 Bolt Lid)

Specifications

6"x9" Cast Iron Curb Box
2 Bolt - Water Resistant
Plastic Skirt
H-20 Load Rated
Weight 5.86 lbs

Item#: MM6X9P



ECT Manufacturing, Inc.
11 Black Forest Rd | Hamilton, NJ | 08691
t. 609.631.8939 | 888.240.4328 | f. 609.631.0993
www.ectmfg.com