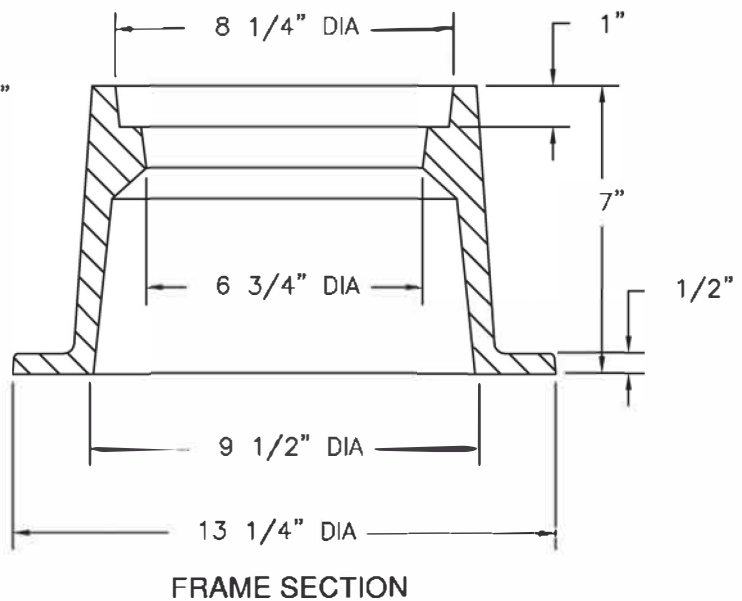
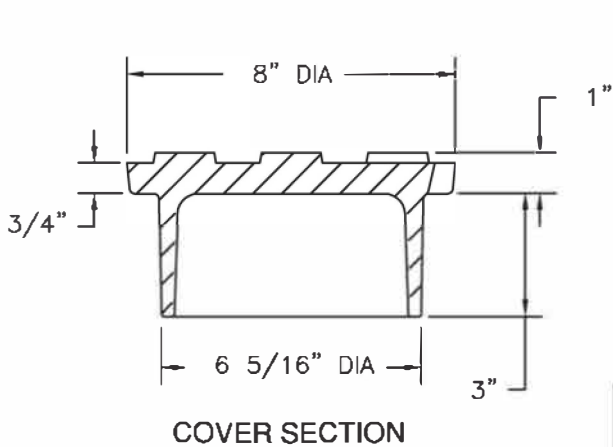
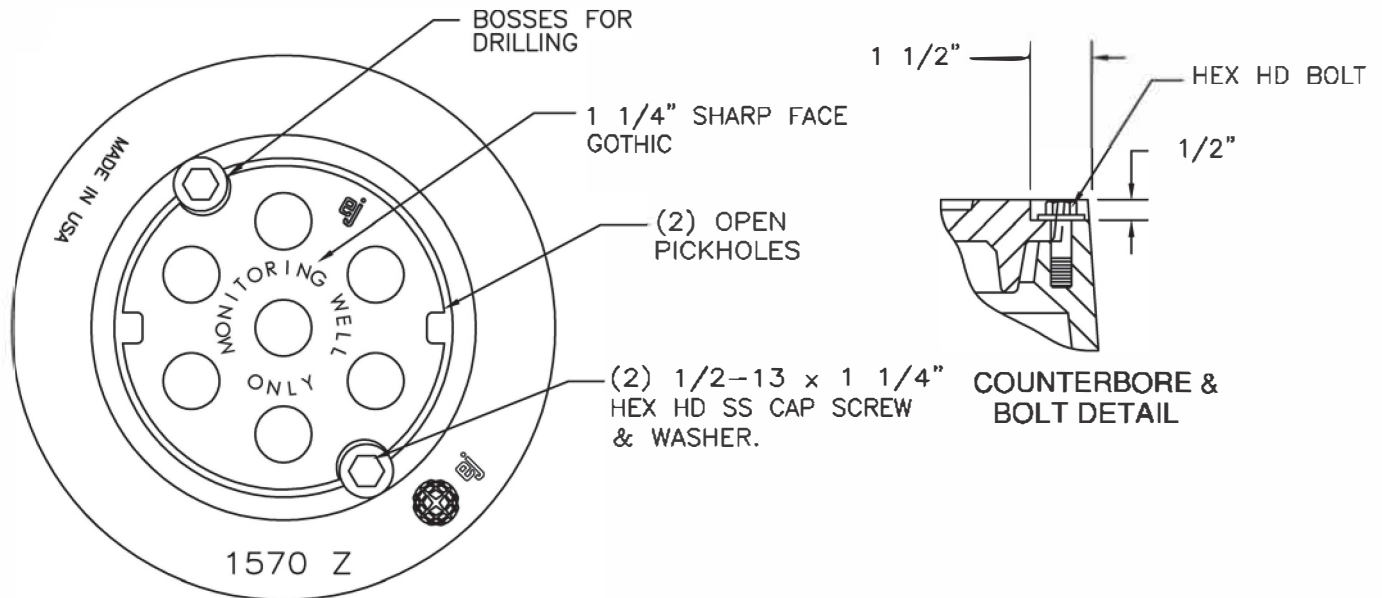


8" x 7" Aircraft Rated Manhole (Cast Iron Construction)

Specifications

8" x 7" Cast Iron
2 Bolt Construction
Aircraft Rated (200,000 lbf)
Weight 62 lbs

Item#: MM8X7AR



ECT Manufacturing, Inc.
11 Black Forest Rd | Hamilton, NJ | 08691
t. 609.631.8939 | 888.240.4328 | f. 609.631.0993
www.ectmfg.com