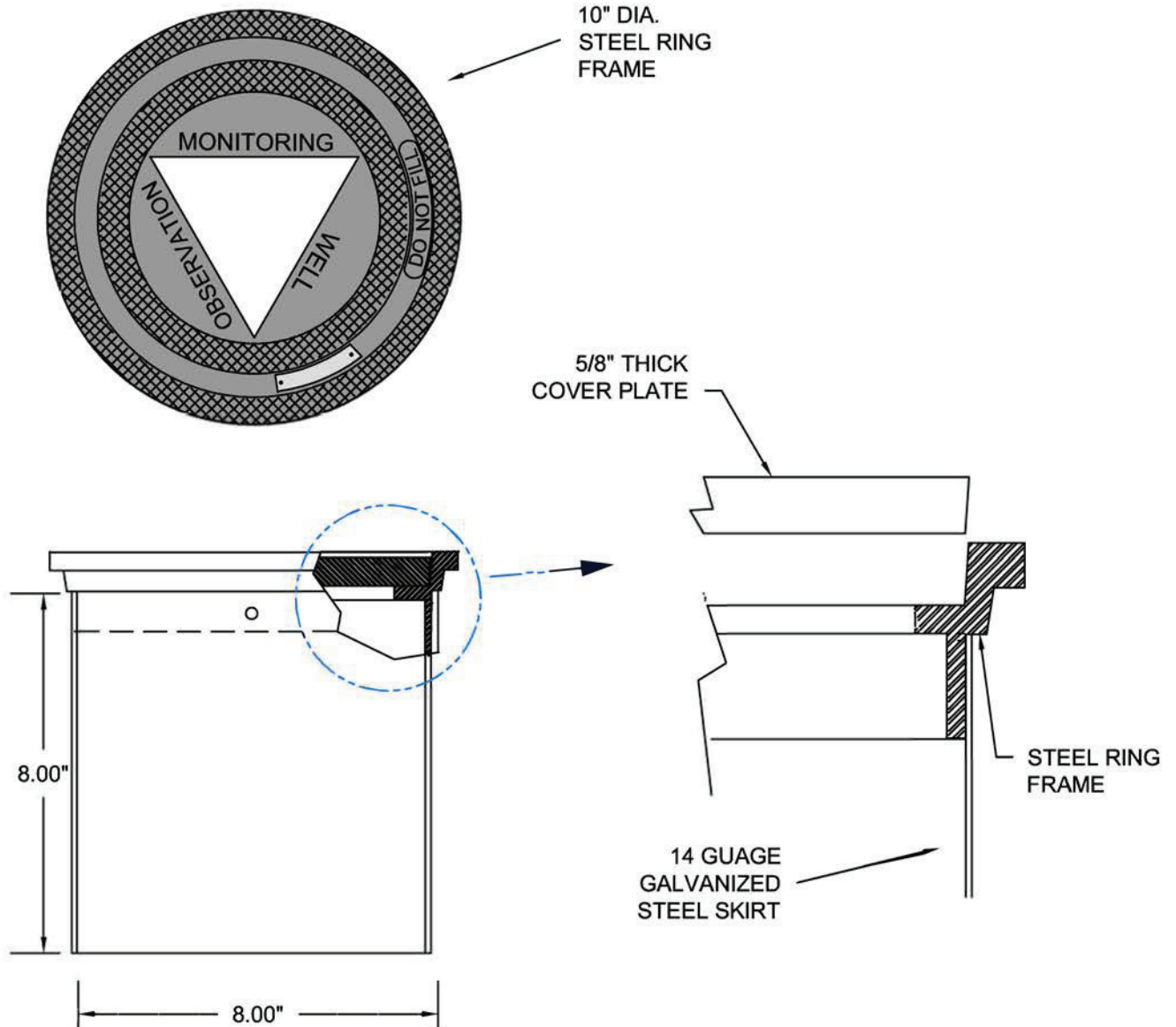


8" x 8" Steel Skirt Manhole (Lay-In Lid)

Specifications

8"x8" Cast Iron Curb Box
Lay-In Lid w/ White Triangle
Steel Skirt
H-20 Load Rated
Weight 13.0 lbs

Item#: MM8X8MLI



ECT Manufacturing, Inc.
11 Black Forest Rd | Hamilton, NJ | 08691
t. 609.631.8939 | 888.240.4328 | f. 609.631.0993
www.ectmfg.com