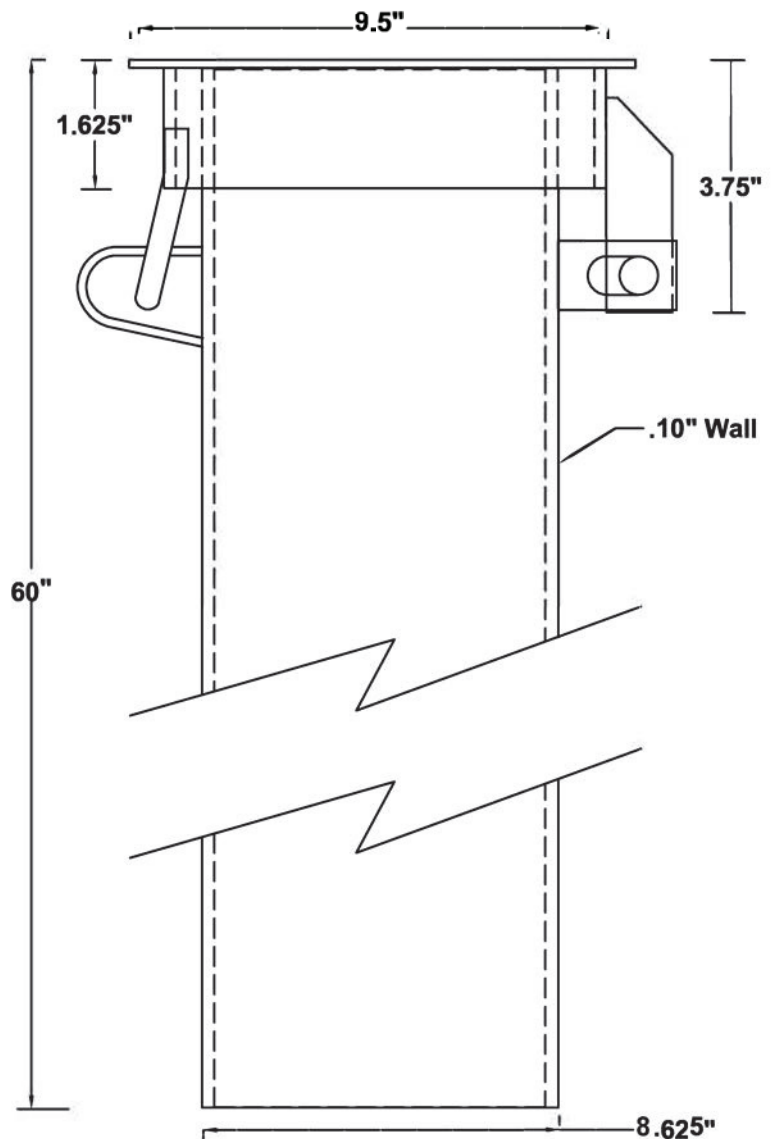
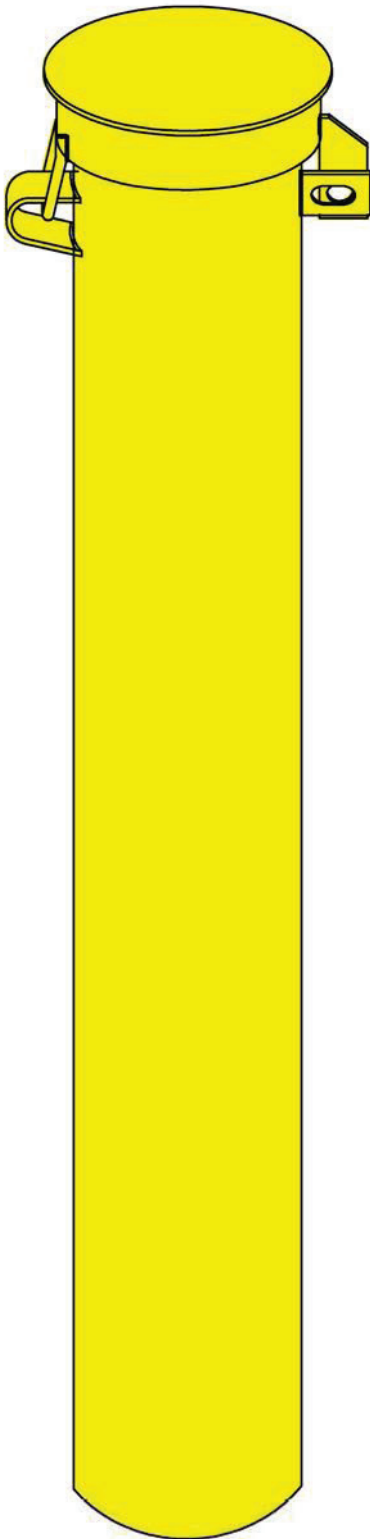


# 8" x 5' Round Steel Well Protector

## Specifications

8"rd x5' Tall Well Protector  
Hinged, Locking Lid  
UV Protectant Powder Coat  
Colors: Black, Safety Yellow  
Weight 30 lbs

Item#: PCAS8



ECT Manufacturing, Inc.  
11 Black Forest Rd | Hamilton, NJ | 08691  
t. 609.631.8939 | 888.240.4328 | f. 609.631.0993  
www.ectmfg.com