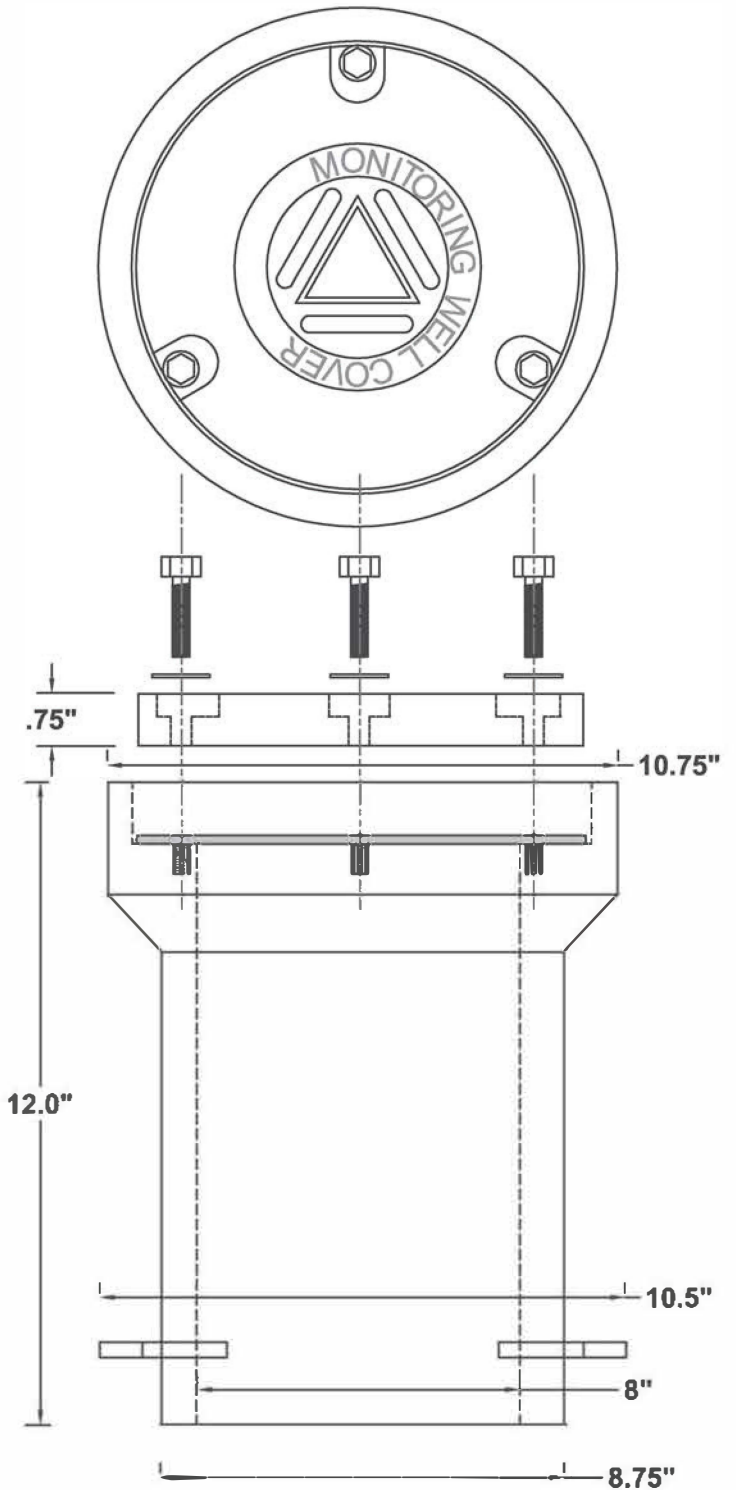
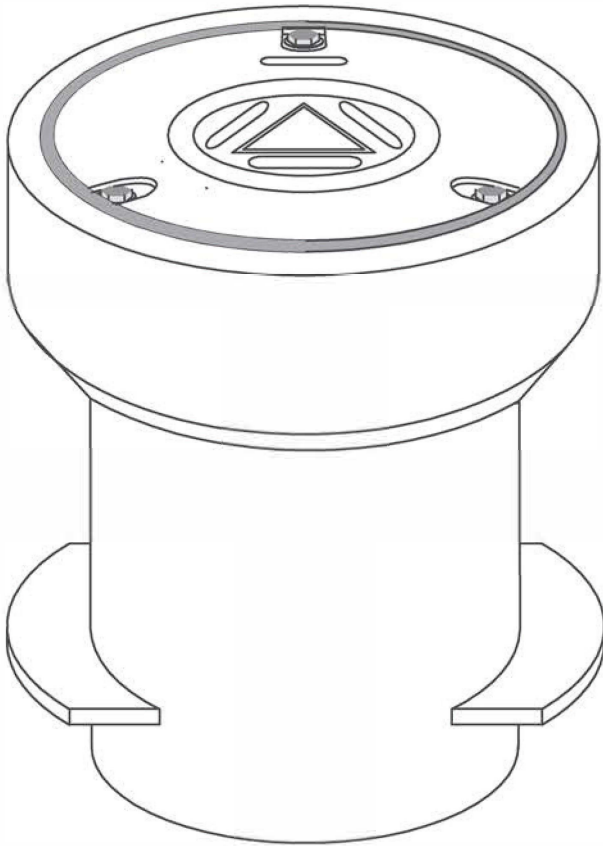


8" x 12" Aircraft Rated Manhole (Cast Aluminum Construction)

Specifications

8"x12" Aluminum Alloy Curb Box

Aircraft / Airport Rated
AASHTO M306 Traffic Rated
AASHTO HS20 Traffic Rated
AASHTO H20 Traffic Rated



ECT Manufacturing, Inc.
11 Black Forest Rd | Hamilton, NJ | 08691
t. 609.631.8939 | 888.240.4328 | f. 609.631.0993
www.ectmfg.com